

**NIMASU**<sup>®</sup>  
EXIM PRIVATE LIMITED



Treasure  
*For*  
Modern soul

DECORATIVE POST & LAMP



Made In India

LM79  
LM80

**Registered Office Address :**

1A 132, Kalpataru Riverside, Takka, Panvel, Navi Mumbai - 410 206, Maharashtra, India.

**Corporate Office Address :**

A-106, Sai Arcade, Near St Depot, Panvel, Navi Mumbai - 410 206, Maharashtra, India

Website : [nimasu.co.in](http://nimasu.co.in)

Contact no : +91 9619668691/ 9326085940

Email : [info@nimasu.co.in](mailto:info@nimasu.co.in)





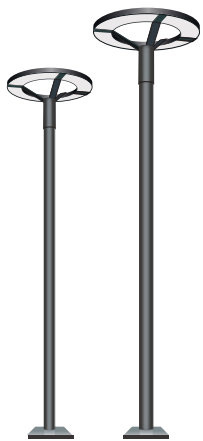
## COLONIAL LED POST LAMP

Height : 3Mtr ~ 7Mtr  
Pole Material : GI Pipe, MS Plate, Cast Iron rings  
Finish : Painted  
Mounting : Base Plate, Foundation Bolts.  
Luminaire Wattage : 40W~60W  
Luminaire Material : Aluminum, Glass Optics



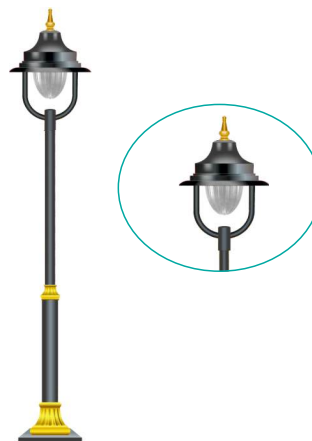
## GRECIAN LED POST LAMP

Height : 3Mtr ~ 4Mtr  
Pole Material : GI Pipe, MS Plate, Cast Iron rings  
Finish : Painted  
Mounting : Base Plate, Foundation Bolts.  
Luminaire Wattage : 40W~60W  
Luminaire Material : Aluminum, Glass/PMMA Optics



## GALAXY LED POST LAMP

Height : 3Mtr ~ 7Mtr  
Pole Material : GI Pipe  
Finish : Painted  
Mounting : Base Plate, Foundation Bolts.  
Luminaire Wattage : 40W~60W  
Luminaire Material : Aluminum, PC diffuser



## ALEXANDRIA LED POST LAMP

Height : 3Mtr ~ 7Mtr  
Pole Material : GI Pipe, MS Plate, Cast Iron rings  
Finish : Painted  
Mounting : Base Plate, Foundation Bolts.  
Luminaire Wattage : 40W~60W  
Luminaire Material : Aluminum, Glass Optics



## LUXEMBURG LED POST LAMP

Height : 7Mtr ~ 10Mtr  
Pole Material : GI Pipe, MS Plate, Cast Iron rings  
Finish : Painted  
Mounting : Base Plate, Foundation Bolts.  
Luminaire Wattage : 60W~120W  
Luminaire Material : Aluminum, Glass Optics



## ROMAN LED POST LAMP

Height : 6Mtr ~ 8Mtr  
Pole Material : GI Pipe, MS Plate, Cast Iron rings  
Finish : Painted  
Mounting : Base Plate, Foundation Bolts.  
Luminaire Wattage : 60W~120W  
Luminaire Material : Aluminum, Glass Optics



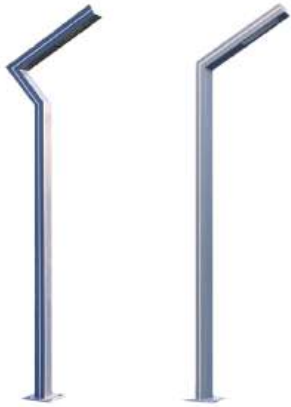
## LUCENT LED POST LAMP

Height : 2.7Mtr  
 Pole Material : GI Pipe, MS Plate, Perforated holes  
 Finish : Painted  
 Mounting : Base Plate, Foundation Bolts.  
 Luminaire Wattage : Approx 60W  
 Luminaire Material : Aluminum, Glass Optics (indirect),  
 LED batterns



## NEWEL LED BOLLARDS

Height : 0.3Mtr ~ 0.9 Mtr (Dia 75mm)  
 Pole Material : GI Pipe, MS Flenge  
 Finish : Painted  
 Mounting : Base Plate, Foundation Bolts.  
 Luminaire Wattage : 9W~10W  
 Luminaire Material : Diffuser, Aluminum, LED Module



## ANGLAR LED POST LAMP

Height : 3Mtr (80mm)  
 Pole Material : GI Pipe, MS Plate  
 Finish : Painted  
 Mounting : Base Plate, Foundation Bolts.  
 Luminaire Wattage : 40W  
 Luminaire Material : :Moduler, Aluminum, PMMA Optics



## TRESTLE LED BOLLARDS

Height : 0.3Mtr~0.9 Mtr (Dia 100mm)  
 Pole Material : GI Pipe, MS Flenge  
 Finish : Painted  
 Mounting : Base Plate, Foundation Bolts.  
 Luminaire Wattage : 10W~12W  
 Luminaire Material : Diffuser, Aluminum, LED Module



## KING POST LED POST LAMP

Height : 1.8Mtr ~ 3Mtr (110mm)  
 Pole Material : GI Pipe, MS Flenge  
 Finish : Painted  
 Mounting : Base Plate, Foundation Bolts.  
 Luminaire Wattage : 36W  
 Luminaire Material : Diffuser, LED batterns



## LINTEL LED BOLLARDS

Height : 0.3Mtr ~ 0.9 Mtr (Dia 150mm)  
 Pole Material : GI/AL GI Pipe, MS Flenge  
 Finish : Painted  
 Mounting : Base Plate, Foundation Bolts.  
 Luminaire Wattage : 12W~16W  
 Luminaire Material : Diffuser, Aluminum, LED Module

## SQUARLET

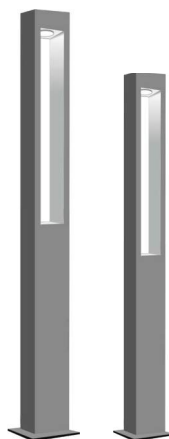
LED BOLLARDS



Height : 0.3Mtr~0.9 Mtr (95mm)  
Pole Material : AL/MS Pipe, MS Plate  
Finish : Painted  
Mounting : Base Plate, Foundation Bolts.  
Luminaire Wattage : 12W  
Luminaire Material : Diffuser, Aluminum, LED Module

## LUXTER

LED BOLLARDS



Height : 0.5Mtr~.75 Mtr (Dia 100mm)  
Pole Material : Aluminum Sheet  
Finish : Painted  
Mounting : Base Plate, Anchor Fastners.  
Luminaire Wattage : 18W  
Luminaire Material : Diffuser, Aluminum, LED Module

## CIRCLET

LED POST LAMP



Height : 0.3Mtr~0.9 Mtr (Dia 100mm)  
Pole Material : AL/MS Pipe, MS Plate,  
Finish : Painted  
Mounting : Base Plate, Foundation Bolts.  
Luminaire Wattage : 12W  
Luminaire Material : Diffuser, Aluminum, LED Module

## CUBON

### WALL / GATE LED LIGHT



Wattage : 9W/12W  
Size : 160\*160\*170mm  
Housing Material : Aluminum, Diffuser  
Mounting : Surface/ Spike  
IP65

## ALCARE

LED BOLLARDS



Height : 0.6Mtr~0.9 Mtr (Dia 100mm)  
Pole Material : Aluminum Pipe, MS Plate  
Finish : Painted  
Mounting : Base Plate, Foundation Bolts.  
Luminaire Wattage : 16W  
Luminaire Material : Diffuser, Aluminum, LED Module

## GARDEN SPIKES

### GARDEN LED LIGHT



Wattage : 5W/10W/15W  
Size : As per size  
Housing Material : Die cast Aluminum, glass optics  
Mounting : Surface/ Spike  
IP65



**K-LIGHT**  
LED WALL LIGHT

Wattage : 12W  
Size : 80\*140\*65 mm  
Housing Material : Die cast Aluminum  
Mounting : Surface/ Spike  
IP65



**ARTIFY**  
LED WALL LIGHT

Wattage : 2W/4W/6W/8W  
Size : As per design  
Housing Material : Diecast Aluminum, PMMA lens  
Mounting : Surface Mounted  
IP65



**ROVI**  
LED WALL LIGHT

Wattage : 2W/4W/6W/8W  
Size : 75\*75\*52 mm  
Housing Material : Diecast Aluminum  
Mounting : Surface Mounted  
IP65



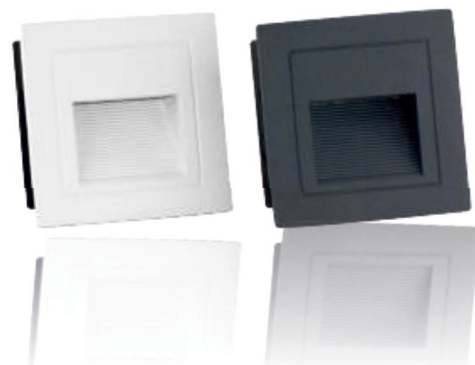
**VENUS**  
LED SURFACE LIGHT

Wattage : 5W  
Size : Dia 60\*15 mm  
Housing Material : Diecast Aluminum, PC  
Mounting : Surface Mounted  
IP65



**UP-DOWN LIGHT**  
LED WALL LIGHT

Wattage : 2W/4W/6W/8W  
Size : 50\*175\*90 mm  
Housing Material : Diecast Aluminum  
Mounting : Surface Mounted  
IP65



**STEP LIGHT**  
LED WALL LIGHT

Wattage : 5W  
Size : 75\*75\*52mm  
Housing Material : Diecast Aluminum, PC  
Mounting : Wall recess  
IP65

## FLOOR BURIAL LIGHTS



Wattage : 3W ~ 12W  
 Size (3W) : 82\*63\*65mm  
 (6W) : 114\*90\*70mm  
 (12W) : 150\*110\*70mm  
 Housing Material : SS, AL, PC  
 Mounting : Ground Burial  
 IP67

## SWIMMING POOL LIGHTS



Wattage : 6W~12W  
 Size (6W) : 125\*40mm  
 (12W) : 175\*40mm  
 Housing Material : SS  
 Mounting : Surface Mounted  
 IP68

## FOUNTAIN LIGHTS



Wattage : 6W~12W  
 Size (6W) : 125\*28mm  
 (12W) : 145\*28 mm  
 Housing Material : SS, AL, PC  
 Mounting : Ground Burial  
 IP67

## WALL WASHER (Linear)



Wattage : 36W~72W  
 Size (6W) : 1Mtr~1.2 Mtr  
 Housing Material : Aluminum Extrusion  
 Mounting : Surface Mounted  
 IP65

## FOUNTAIN LIGHTS



Wattage : 6W~12W  
 Size (6W) : 100\*50mm  
 (12W) : 125\*50mm  
 Housing Material : SS  
 Mounting : Surface Mounted  
 IP67

## BULK HEAD LED WALL HEAD



Wattage : 10W & 20W  
 Size (10W) : 170 X 68 X 50mm  
 (20W) : 212 X 100 X 60 mm  
 Housing Material : Thermo-Plastic, PC Diffuser  
 Mounting : Surface Mounted Screw Fitting  
 IP65